

RESIDENTIAL AND COMMERCIAL



EASE OF INSTALLATION AND SERVICEABILITY

- Compact Design to Save Space
- Wi-Fi Technology for Remote Monitoring, Management and Recirculation Control.
- Simple Gas Conversion
- Includes Certified Isolation Valves for Potable Water

OPTIONAL ACCESSORIES

Condensate Neutralizer, ScaleCutter, Additional Controllers, Pipe Cover, EZConnect™ Cables, Control-R™ Wi-Fi Module, External Recirculation Pump, Wireless Accessories, and many more.

Visit rinnai.us for a complete list of accessories.

HIGH-EFFICIENCY (NON-CONDENSING) TANKLESS WATER HEATER

Installation Type	Internal (Indoor) Residential and Commercial Applications; Certified for installation in Manufactured (Mobile) Homes
Model Number	RL75i (REU-VC2528FFUD-US)
Approved Gas Types	Natural and Propane
High Altitude Approved	Up to 10,200 ft. (3,109 m)
Water Flow Control	Water Flow Sensor, Electronic Water Control and Fixed Bypass Control
Uniform Energy Factor (UEF)	0.81
Energy Factor (For Canada)	0.82
Controller	Included: MC-91-2US Optional: MC-100V-1US (Deluxe), BC-100V-1US (Bathroom), MCC-91-2US (Hydronic and Commercial Applications), MC-195T-US (for use with Circ-Logic), Control-R™ Wi-Fi Module
Certifications	AHRI, ANSI Z21.10.3, and CSA 4.3

Warranty

- Heat Exchanger: 12 years* for residential
 - All Other Parts and Components: 5 Years*
 - Reasonable Labor: 1 Year
- * 3 years if used as a circulation water heater within a circulation loop when the water heater is in series with a circulation system and all circulating water flows through the water heater, and where an aquastat/thermostat, timer, or an on-demand recirculation system is not incorporated. Refer to the Tankless Water Heater Installation and Operation manual for complete warranty information.

Safety Devices

Flame Failure - Flame Rod, Boiling Protection, Combustion Fan RPM Check, Over Current - Glass Fuse, Remaining Flame (OHS), Thermal Fuse and Automatic Frost Protection

Included with Purchase

Tankless Water Heater, Color Coded Cold (Blue) and Hot (Red) Isolation Valves, Pressure Relief Valve, MC-91-2 Temperature Controller

Additional Features

- Complies with South Coast Air Quality Management District 14 ng/J or 20 ppm NOx Emission Levels
- Ultra Low NOx
- Wi-Fi & Recirculation Capable
- 1/2 in. (13 mm) Gas Line Compatible



CERTIFIED TO ANSI Z21.10.3 — CSA 4.3

TECHNICAL SPECIFICATIONS

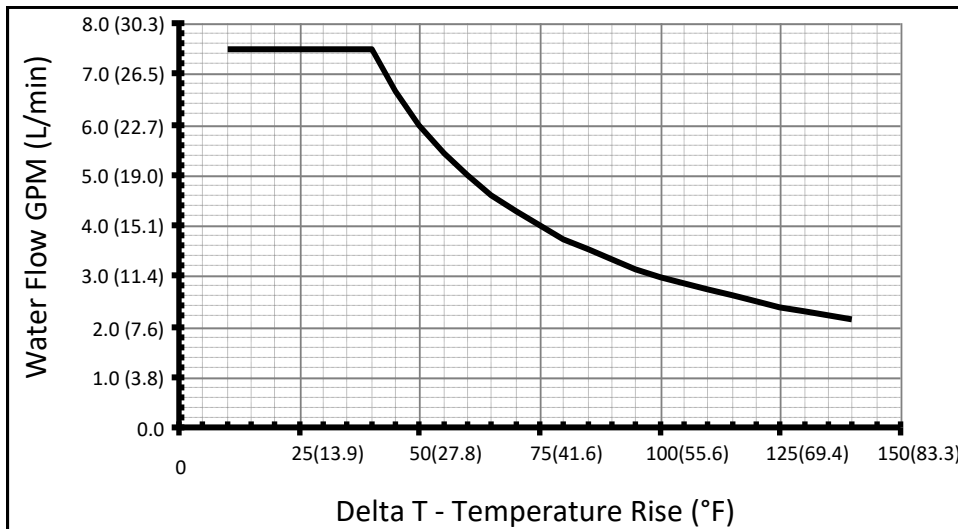
SPECIFICATION		RL75i
Dimensions - w, h, d		14.04 in. x 22.95 in. x 9.27 in. (356.6 mm x 583 mm x 235.5 mm)
Minimum Gas Consumption Btu/h		10,300
Maximum Gas Consumption Btu/h		180,000
Flow Rate ¹ (Min - Max)		0.26 - 7.5 GPM (1.0 - 28.4 L/min)
Weight		45.6 lbs. (20.7 kg.)
Sound Level		47 dB
Electrical	Normal	76 W
	Standby	2 W
	Freeze Protection	120 W
	Max With Pump	8 Amps
	Max Without Pump	4 Amps
	Fuse	10 Amps
Temperature (with remote)		98° - 120° F (37°C - 49°C) (factory default) 98° - 160° F (37° - 71° C) available with the MCC-91-2 controller for hydronic applications
Temperature (without remote)		120° F (49°C) (factory default) and 140° F (60°C)
Gas Supply Pressure ²		<ul style="list-style-type: none"> Natural: 4 in. w.c. - 10.5 in. w.c. (2.5 mbar – 26.1 mbar) Propane: 8 in. w.c. - 13.5 in. w.c. (20 mbar – 33.6 mbar)
Ignition System		Direct Electronic Ignition
Electronic Connections		<ul style="list-style-type: none"> Appliance: AC 120 Volts, 60Hz. Temperature Controller: DC 12 Volts (Digital)
Water Supply Pressure		<ul style="list-style-type: none"> Minimum: 20 PSI (Recommended 30-80 PSI for max performance) Maximum: 150 PSI
Controller Cable		Non-Polarized Two Core Cable (Minimum 22 AWG)
Service Connections		<ul style="list-style-type: none"> Gas Supply: 3/4 in. (19 mm) NPT Cold Water Inlet: 3/4 in. (19 mm) NPT Hot Water Outlet: 3/4 in. (19 mm) NPT
Clearances from Combustibles		<ul style="list-style-type: none"> Top: 6 in. (152 mm) Bottom/Ground: 12 in. (305 mm) Front: 6 in. (152 mm)* Back: 0 in. Sides: 2 in. (51 mm) Vent: 0 in.
Clearances from Non-Combustibles		<ul style="list-style-type: none"> Top: 2 in. (51 mm) Bottom/Ground: 12 in. (305 mm) Front: 6 in. (152 mm)* Back: 0 in. Sides: 1/2 in. (13 mm) Vent: 0 in.

* Clearance for servicing is 24 in. (610 mm) in front of water heater

¹ Minimum flow may vary slightly depending on the temperature setting and the inlet water temperature. Minimum activation flow is 0.4 GPM (1.5 L/min).

² The maximum gas supply pressure must not exceed the value specified by the manufacturer.

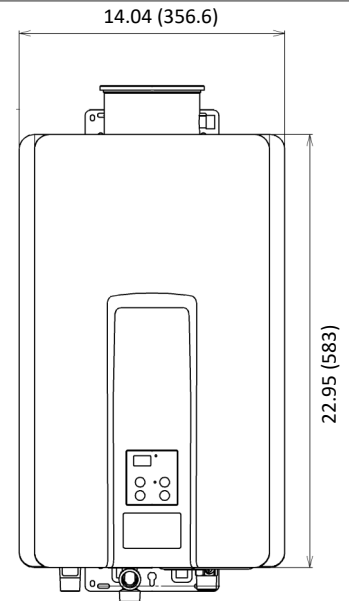
WATER FLOW CURVE



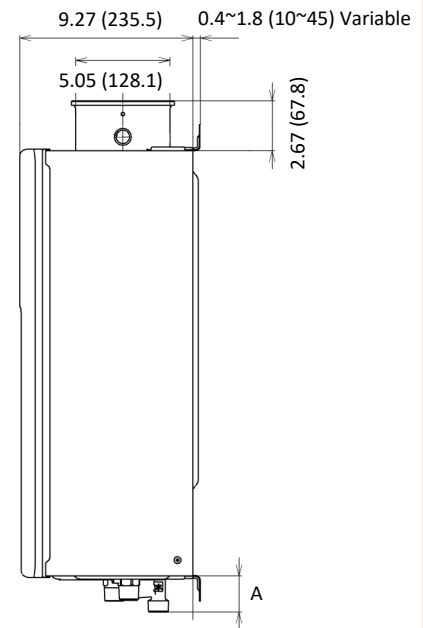
DIMENSIONS

in. (mm)

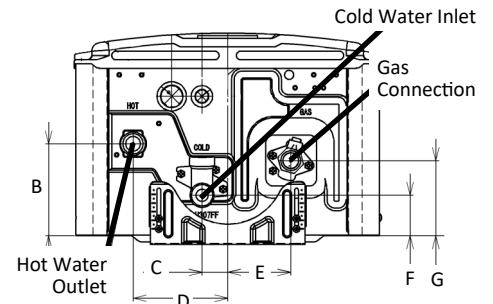
FRONT



SIDE



BOTTOM



DIMENSION	Inches (mm)	DIMENSION	Inches (mm)
A (GAS)	1.31 (33.2)	D	4.33 (110)
A (COLD)	1.93 (49)	E	2.89 (73.3)
A (HOT)	1.35 (34.4)	F	1.85 (47)
B	4.21 (106.9)	G	3.44 (87.3)
C	1.17 (29.8)		